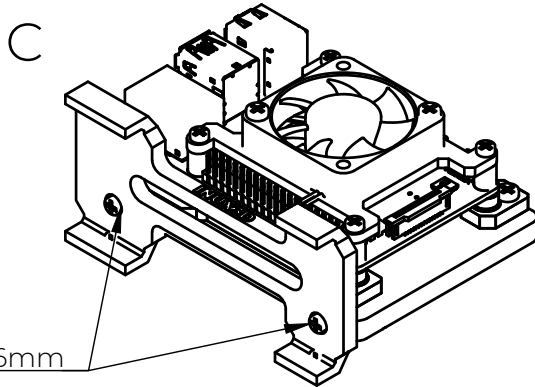


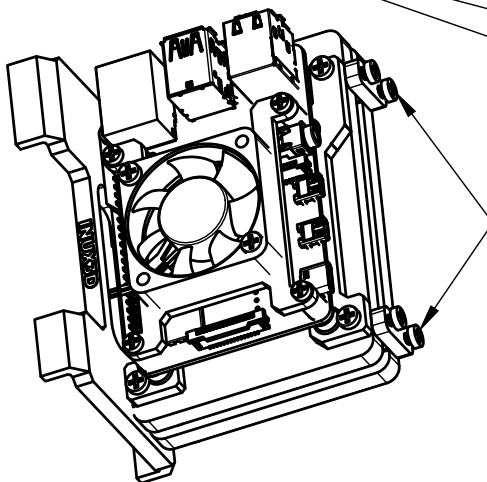
A

Place the drive on a flat surface and mount the SSD clips as shown above. Use M3x6mm screws to secure the SSD mounting clips. Please pay attention to the orientation.



Align the base part with the SSD mounting holes and use the M3x6mm screws to secure it.

D

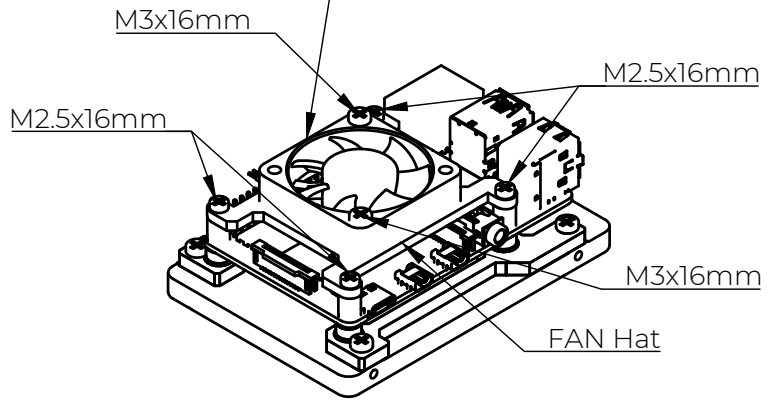


M3x6mm (4pcs)

ONLY FOR DUAL SSD Version
Align and secure the 2 SSD drives with the 2 provided SSD Clips as shown in drawing D

B

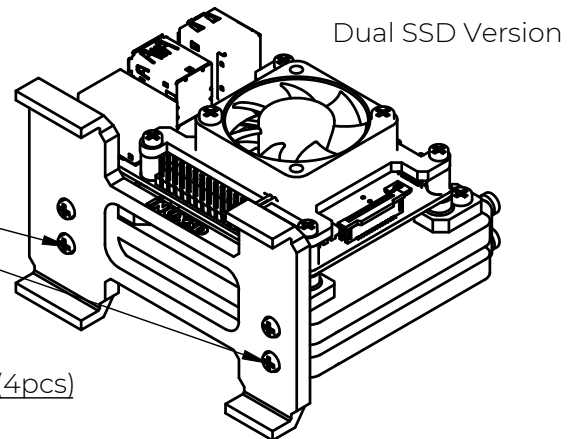
Mount the FAN on the Fan Hat FIRST!



After mounting the fan, place the Pi and align it over the mounting holes. Then, place the fan hat and align it as well. Use the M2.5x16mm screws to secure it.

PLEASE DO NOT OVERTIGHTEN
The M2.5x16mm screws are self tapping

If you do not plan to use a fan, then instead of placing the fan hat, secure the board on the SSD mounting clips by the 4x M2.5x6mm screws supplied in a separate bag.



Dual SSD Version

Dept. TECH	Technical reference M2.5	Created by LL	12/13/2020		Approved by LL	12/12/2020	
		Document type Assembly	Document status FINAL				
		Title TerraPi v5 M2.5 version	DWG No. 3				
			Rev. A	Date of issue 1312/2020	Sheet 1/1		