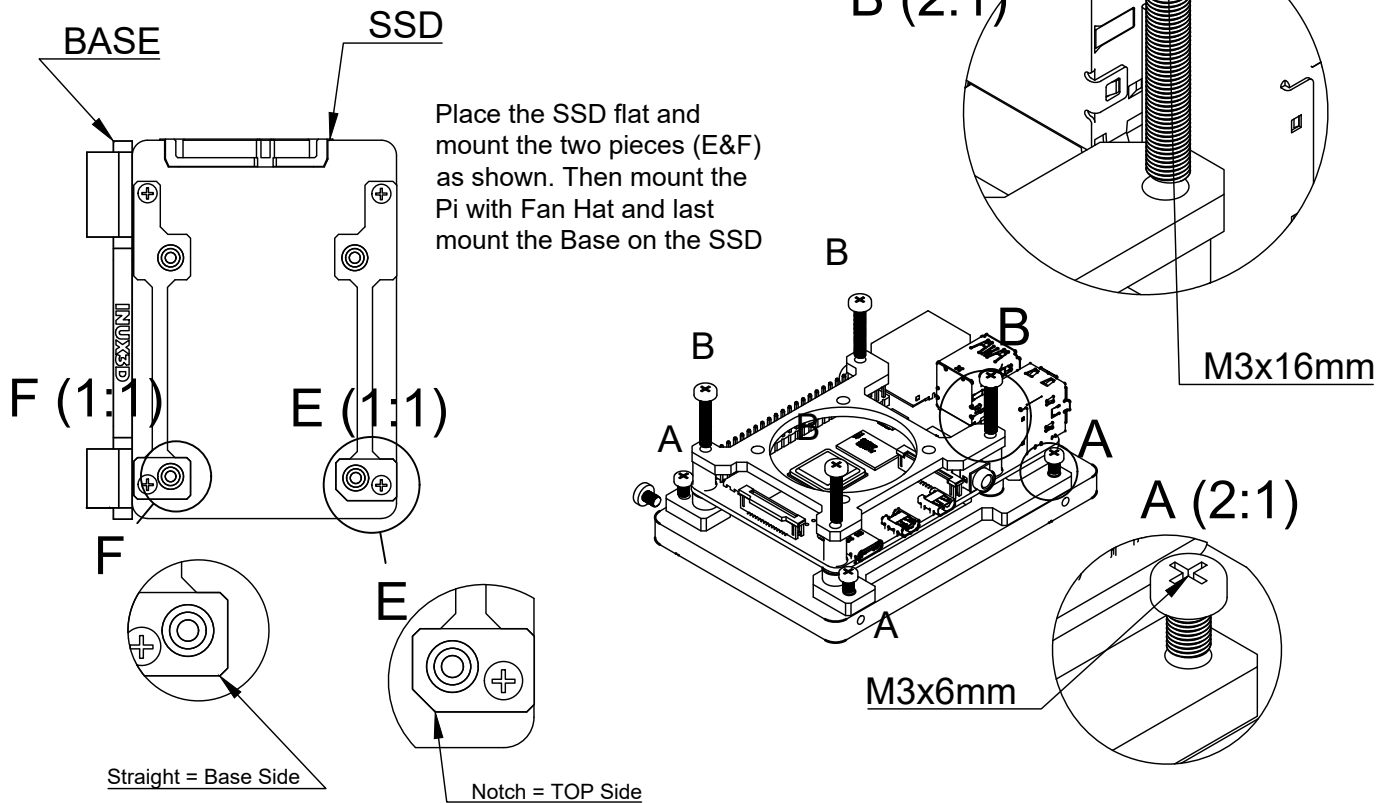
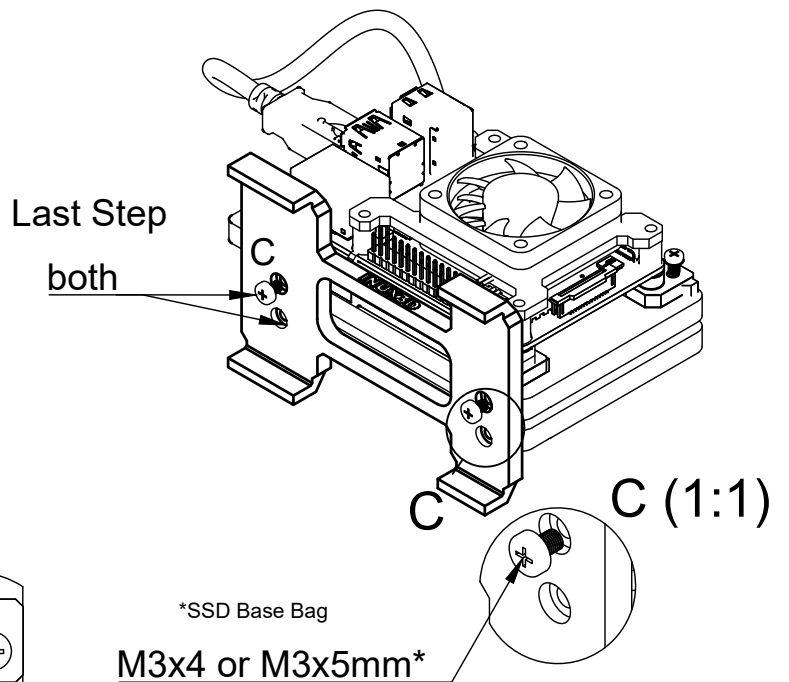
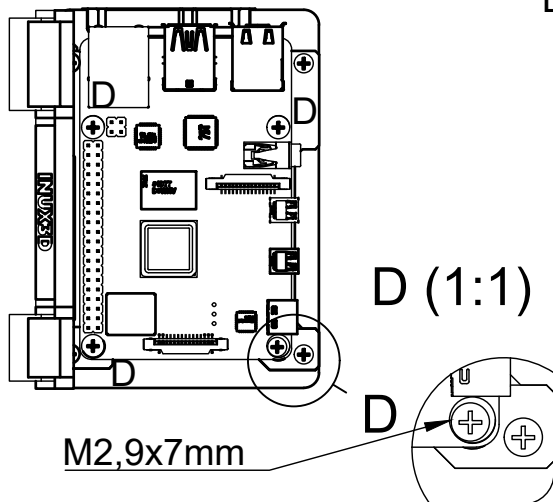


# The TerraPi DUAL SSD



## NO FAN HAT Assembly

Please use 4x M2,9x7mm screws ONLY if you WILL NOT use the Fan Hat!



Dept. <b>TECH</b>	Technical reference <b>ASSY</b>	Created by <b>LL</b>	9/11/2020		Approved by <b>LL</b>	Sept 9 2020	
		Document type <b>INFORMATIONAL</b>	Document status <b>FINAL</b>				
		Title <b>The TerraPi Assembly Guide DUAL SSD</b>	DWG No. <b>16</b>				
		Rev. <b>1</b>	Date of issue <b>Sept 9 2020</b>	Sheet <b>1/1</b>			