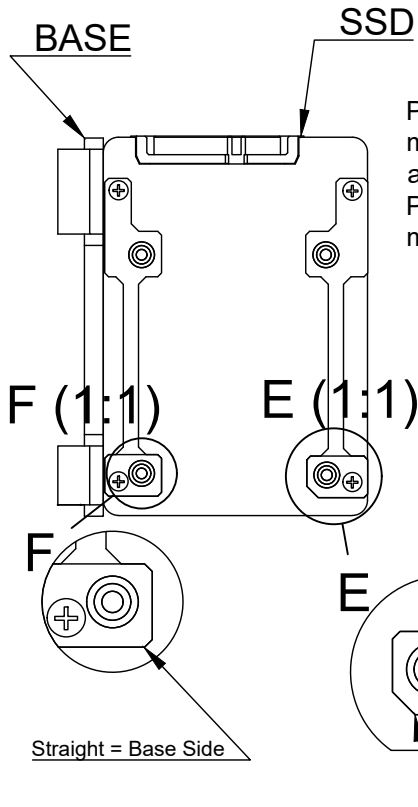
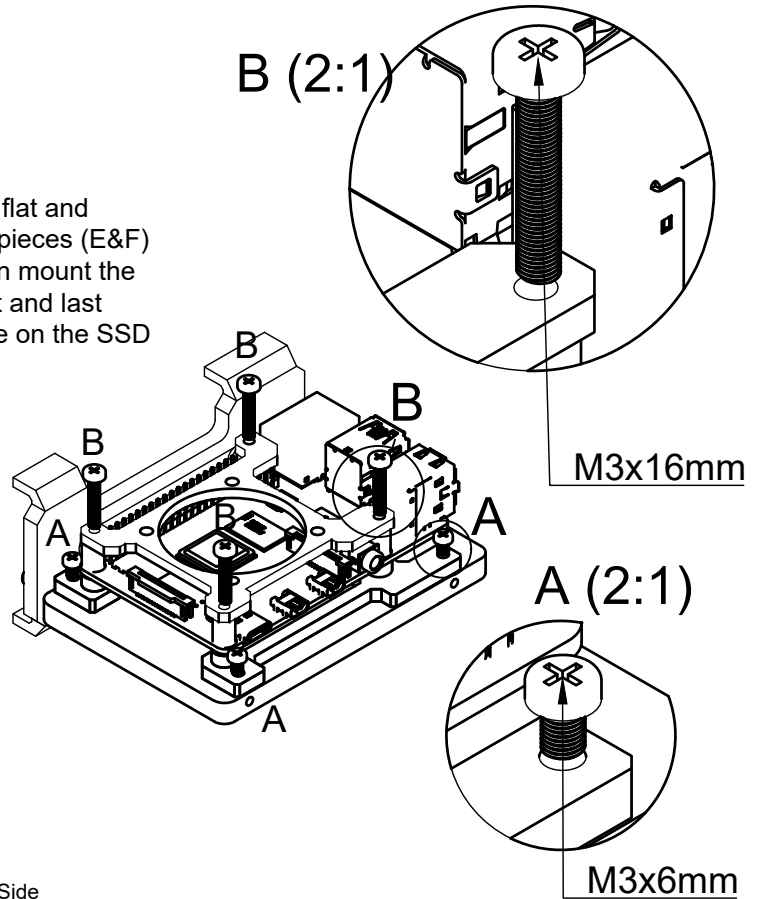


The TerraPi

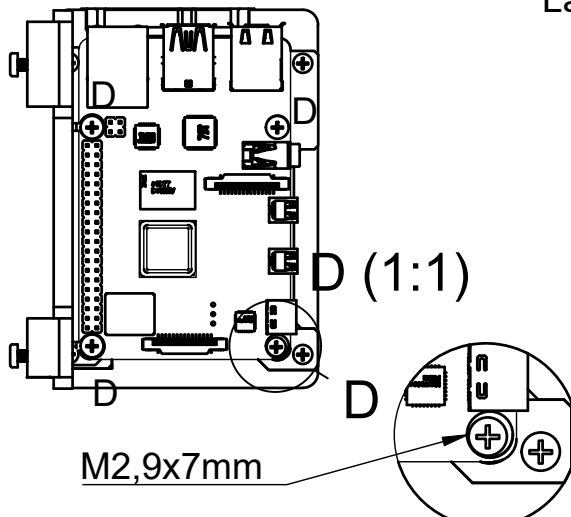


Place the SSD flat and mount the two pieces (E&F) as shown. Then mount the Pi with Fan Hat and last mount the Base on the SSD

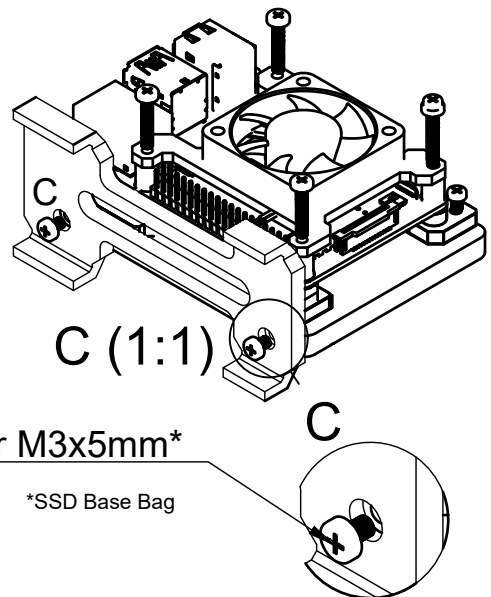


NO FAN HAT Assembly

Please use 4x M2,9x7mm screws ONLY if you WILL NOT use the Fan Hat!



Last Step



Dept. TECH	Technical reference ASSY	Created by LL	9/11/2020		Approved by LL	Sept 9 2020	
		Document type INFORMATIONAL	Document status FINAL				
		Title The TerraPi Assembly Guide	DWG No. 16				
		Rev. 1	Date of issue Sept 9 2020	Sheet 1/1			